

Datasheet

CX-P100



General

- Indoor
- Housing: black
- IP 20

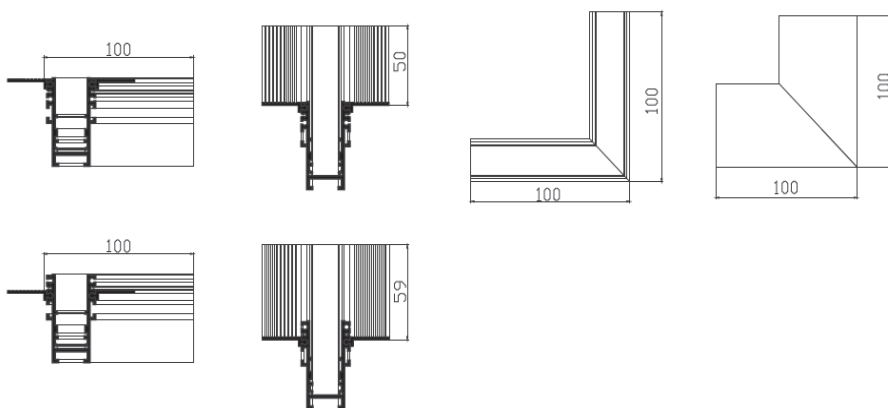
Dimensions

- Measurement: 100mm x 100mm
- Cutout: 100mm x 100mm

Description

- Flat Corner with black painted finish (RAL 9005);
- Measurement 100mm x 100mm;
- 5 years warranty;
- Degree of housing protection according to DIN EN 60529 (IP20) ;
- 90° corner requires configuration of Flat Corner.

Technical drawing



CB

CE

RoHS



Driver