

M/S410.1
 KNX Curtain Motor 220V AC
 KNX Curtain Motor with Adapter

Hardware Version: A



Datasheet

Issued: August 1, 2019
 Edition V1.0.2



Figure 1. KNX Curtain Motor 220V AC Figure 2. KNX Curtain Motor with Adapter

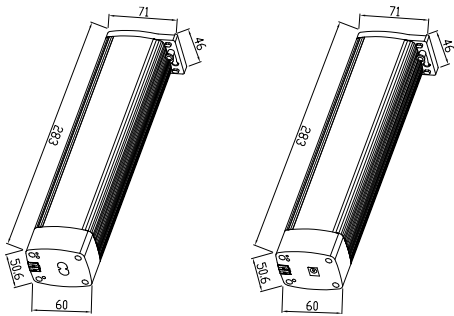
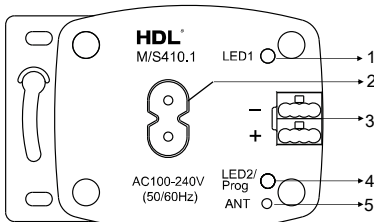
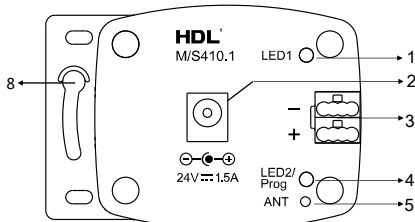


Figure 3. Dimensions (1) (Unit: mm) Figure 4. Dimensions (2) (Unit: mm)



KNX Curtain Motor 220V AC

Figure 5. Components - Bottom View (1)



KNX Curtain Motor with Adapter

Figure 6. Components - Bottom View (2)

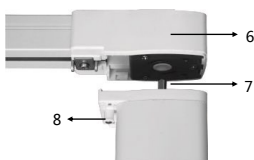


Figure 7. Components - Side View

Overview

KNX Curtain Motor 220V AC / KNX Curtain Motor with Adapter (See Figure 1-2) is a curtain controller controlled by a KNX panel or other KNX device. The motor can be widely used at home, office, hospital and hotel etc.

The main function includes:

- Automatic travel measurement and supports limit point presetting
- Enable to open, close, stop and percentage open/close, and supports status response (open, close, stop, percentage open/close, etc.)
- Enable short drag to start the motor
- The rotate direction of the motor can be set to forward or reverse.
- Preset position function, a total of 4 preset positions available
- Safety control: Control the curtain position according to wind, rain, frost signal, and supports the power-on status recovery after power failure.
- Auto control: Control the curtain position according to the weather status, heating, cooling signal
- Scene control function
- Forced position operation
- Power-down save function

Components and Operation

Dimensions - See Figure 3 - 4

Components - See Figure 5 - 7

1. LED 1 / Button for learning IR codes (Please refer to the Remote Control Specification for more information.)
2. Power interface
3. KNX interface
4. Programming button / LED 2 indicator
 - Wen the motor is in working mode, the green LED indicator flashes,
 - Press the button, the LED indicator keeps on, then the motor enters programming mode.
5. Reserved antenna
6. Drive unit
7. Motor shaft
8. Clipping lock

Installation

- Step 1. Pull the clipping lock out and rotate 120°.
- Step 2. Aim the motor shaft at the drive unit and push it into the drive unit gently.
- Step 3. Rotate the clipping lock to the original position.

Note(s)

- Programming - This device is compliant with the KNX standard and can only be programmed by ETS software.
- Cable connection - Ensure correct connection.
- Ensure tight connection between motor shaft and drive unit.



Safety Precautions

- The installation and commissioning of the device must be carried out by HDL or the organization designated by HDL. For planning and construction of electric installations, the relevant guidelines, regulations and standards of the respective country are to be considered.
- HDL does not take responsibility for all the consequences caused by installation and wire connection that are not in accordance with this document.
- Please do not privately disassemble the device or change components, otherwise it may cause mechanical failure, electric shock, fire or body injury.
- Please resort to our customer service department or designated agencies for maintenance service. The warranty is not applicable for the product fault caused by private disassembly.
- Do not put any additional weight on the rail, and do not climb the curtain.
- When you install the motor to the drive unit, please check and make sure that the clipping lock is pushed into lock hole, otherwise the motor will fall down to cause product damage or personal injury.

Package Contents

KNX Curtain Motor 220V AC: Curtain Motor*1 / Power cable*1 / Datasheet*1

KNX Curtain Motor with Adapter: Curtain Motor *1 / Adapter*1 / Power cable*1 / Datasheet*1



Figure 8

Figure 9

Figure 8 - 9. Installation

Technical Data

Basic Parameters

Working voltage	21-30V DC
Working current	6mA/30V DC
Rated input voltage	KNX Curtain Motor 220V AC AC100-240V (50/60Hz) KNX Curtain Motor with Adapter 24V DC
Rated input current	KNX Curtain Motor 220V AC: 0.4A KNX Curtain Motor with Adapter: 1.5A
Communication	KNX
Cable diameter of KNX terminal	0.6-0.8mm
Motor rotate torque	1.2N.m
Motor rotate speed	95rpm

External Environment

Working temperature	-5°C~45°C
Working relative humidity	≤90%
Storage temperature	-20°C~60°C
Storage relative humidity	≤93%

Specifications

Dimensions	283×71×50.6(mm)
Net weight	KNX Curtain Motor 220V AC: 976g KNX Curtain Motor with Adapter: 874g
Housing material	PC, aluminum
Installation	Wall hanging (Figure 8 - 9)
Protection rating (Compliant with EN 60529)	IP41

Name and Content of Hazardous Substances in Products

Components	Hazardous substances					
	Lead (Pb)	Mercury (Hg)	Cadmium (Cd)	Chromium VI (Cr (VI))	Poly-brominated biphenyls (PBB)	Poly-brominated diphenyl ethers (PBDE)
Plastic	o	o	o	o	o	o
Hardware	o	o	o	o	-	-
Screw	o	o	o	x	-	-
Solder	x	o	o	o	-	-
PCB	x	o	o	o	o	o
IC	o	o	o	o	x	x

The symbol "-" indicates that the hazardous substance is not contained.

The symbol "o" indicates that the content of the hazardous substances in all the homogeneous materials of the component is below the limit requirement specified in the Standard IEC62321-2015.

The symbol "x" indicates that the content of the hazardous substance in at least one of the homogeneous materials of the part exceeds the limit requirement specified in the Standard IEC62321-2015.

KNX Cable Guide

KNX	KNX cable
-	Black
+	Red

Technical support

E-mail: support@hdlautomation.com

Website: <https://www.hdlautomation.com>

©Copyright by HDL Automation Co., Ltd. All rights reserved.
Specifications subject to change without notice.