

M/WM70M(S).1

KNX Master (Slave) Curtain Control Motor

Hardware Version: A



Datasheet

Issued : July 16, 2019

Edition : V1.0.0



Figure 1. KNX Master (Slave) Curtain Control Motor

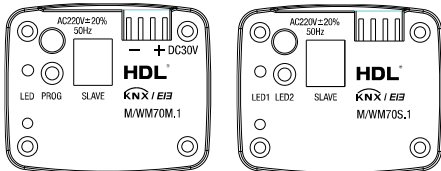


Figure 2. Side View of M/WM70M.12 Figure 3. Side View of M/WM70S.12

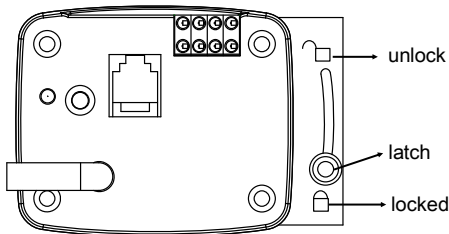


Figure 4. Components - Side View

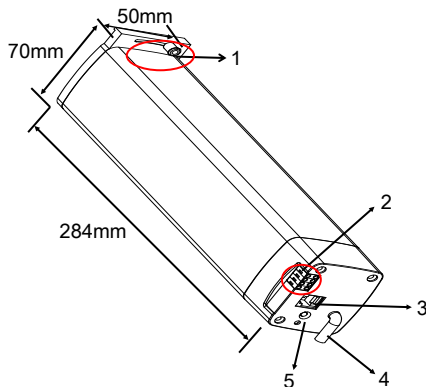


Figure 5. Dimensions

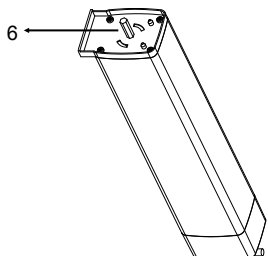


Figure 6. Components - Side View

Overview

KNX Master (Slave) Curtain Control Motor (See Figure 1) is a curtain controller controlled by a panel or other device, and includes host and slave. The Master (Slave) Curtain Control Motor supports manual mode, and overheat protection.

Functions

- Standard control (with percentage)
- Simple control (without percentage)
- Automatic distance measurement
- Manual mode: Long drag, short drag.
- Control to open, close, stop and percentage open/close.
- Position and status response (open, close, stop, percentage, limited position, etc.)
- Status recovery upon power on.
- Safety control: Control the curtain position according to wind, rain, frost signal
- Auto control: Control the curtain position according to sun status, heating, cooling signal
- Scene control
- Forced position operation
- Trigger control
- Status save when power off

Important Notes

- Programming - This device is compliant with the KNX standard and can only be programmed by ETS software.
- Cable connection - Ensure correct connection.
- KNX Bus voltage - 21-30V DC.

Product Information

Side views - See Figure 2 - 3

Components - See Figure 4, 6

Dimensions - See Figure 5

1. Latch
2. Master: KNX/EIB interface
Slave: Invalid
3. RJ11 6P network port, connects to the master and slave, and supplies working voltage for slave.
4. AC power line, 1 meter.
(Brown for L, Blue for N, Yellow/Green for PE)
5. LED Indicator and programming button
6. Motor terminal: Pull the latch to unlock direction, and then insert the motor terminal into the driver unit. Then, push the latch into the locked hole.

Safety Precautions

- The installation and commissioning of the device must be carried out by HDL or the organization designated by HDL. For planning and construction of electric installations, the relevant guidelines, regulations and standards of the respective country are to be considered.
- HDL does not take responsibility for all the consequences caused by installation and wire connection that are not in accordance with this document.
- Please do not privately disassemble the device or change components, otherwise it may cause mechanical failure, electric shock, fire or body injury.
- Please resort to our customer service department or designated agencies for maintenance service. The warranty is not applicable for the product fault caused by private disassembly.

Package Contents

Master Motor: M/WM70M.1*1 / Datasheet*1

Slave Motor: M/WM70S.1*1 / Network cable*1 / Datasheet*1

Technical Data

Basic Parameters

Model	M/WM70M.1 (Master) M/WM70S.1 (Slave)
Working voltage	21-30V DC (Master) 12V DC (Slave, from Master)
Working current	10mA/30V DC (Master)
Input voltage	220V AC 50Hz
Communication	KNX (Master)
Slave interface	6P network port
Rated power	70W
Rated torque	1.0N.m
Rated speed	112rpm
Rail belt speed	16cm/s

External Environment

Working temperature	-5°C~45°C
Working relative humidity	≤90%
Storage temperature	-20°C~60°C
Storage relative humidity	≤93%

Specifications

Dimensions	284×70×50(mm)
Net weight	1554g(master) 1543g(slave)
Housing material	ABS, aluminum
Installation	Wall mounting
Insulation rating	E
Protection rating (Compliant with EN 60529)	IP41

Name and Content of Hazardous Substances in Products

Components	Hazardous substances					
	Lead (Pb)	Mercury (Hg)	Cadmium (Cd)	Chromium VI (Cr (VI))	Poly-brominated biphenyls (PBB)	Poly-brominated diphenyl ethers (PBDE)
Plastic	o	o	o	o	o	o
Hardware	o	o	o	o	-	-
Screw	o	o	o	x	-	-
Solder	x	o	o	o	-	-
PCB	x	o	o	o	o	o
IC	o	o	o	o	x	x

The symbol "-" indicates that the hazardous substance is not contained.

The symbol "o" indicates that the content of the hazardous substances in all the homogeneous materials of the component is below the limit requirement specified in the Standard IEC62321-2015.

The symbol "x" indicates that the content of the hazardous substance in at least one of the homogeneous materials of the part exceeds the limit requirement specified in the Standard IEC62321-2015.

KNX Cable Guide

KNX	KNX Cable
+	Red
-	Black

Technical support

E-mail: support@hdlautomation.com
Website: <https://www.hdlautomation.com>

©Copyright by HDL Automation Co., Ltd. All rights reserved.
Specifications subject to change without notice.